

The Track Systems Technical Specifications



Length	Weight					
	Movie Track		Master Track			
	Fixed Track		Fixed Track		Foldable Track	
	0,62 m/24,5"	1,0 m/39"	0,62 m/24,5"	1,0 m/39"	0,62 m/24,5"	1,0 m/39"
0,9 m/3 ft	9,3 kg/20.5 lbs	10,8 kg/23.8 lbs	7,4 kg/16.3 lbs	8,6 kg/19 lbs	7,4 kg/16.3 lbs	8,7 kg/19.2 lbs
1,6 m/5 ft	15,3 kg/33.7 lbs	17,4 kg/38.4 lbs	11,5 kg/25.4 lbs	13,8 kg/30.4 lbs	11,9 kg/26.2 lbs	13,9 kg/30.6 lbs
2,3 m/7,5 ft	21,3 kg/47 lbs	23,6 kg/52.0 lbs	16,2 kg/35.7 lbs	18,7 kg/41.2 lbs	16,4 kg/36.2 lbs	18,8 kg/41.4 lbs
curved 45°	20,4 kg/45 lbs	—	15,5 kg/34.2 lbs	—	—	—

Other lengths are available upon request



The Master Track in action on set



Movie Tech AG
Martin-Kollar-Str. 9
D-81829 München

Tel: +49 (0) 89/43 68 91 3
Fax: +49 (0) 89/43 68 91 55
e-mail: info@movietech.de

www.movietech.de

Technical details are liable to variations • Copyright by Movie Tech AG

Unlimited freedom of creativity



The Track Systems



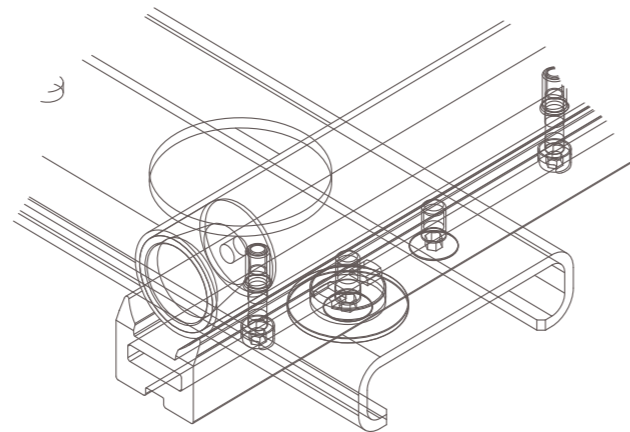
The **Movie** Track System

...the **Steel** System

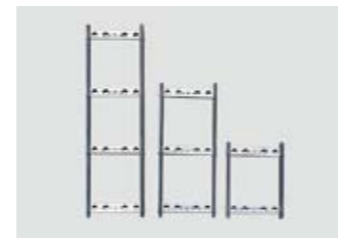


The steel track is made of an exclusive manufactured high-grade steel with a special surface coating. The design of the track tube is focused on a precise circularity and constancy. The fine polishing finish enables very smooth and silent movements of the dolly.

A well thought out composition of the different materials enables the using of heavy cranes. The tread inserts can be changed easily in case of a damaging.



Compatible with most other track systems



Three different lengths are available:
90 cm/160 cm/230 cm
(2.95 ft/5.25 ft/7.55 ft)



The design of the sleepers, with the round cut-outs is acoustically optimized

The tube ends are protected by shifted connection pieces. This makes the daily application easier and protects the tube ends against damage



The **Master** Track System

...the **Aluminium** System



The one-piece profile of the Master Track System offers a maximum of stiffness in combination with low weight. As a result of special aluminium alloying the tracks are very easy to use. The surface is special hard coated for a long lasting application. The use of steel connections provides a long lasting functionality.

The Master Track System is synonymic for a maximum of flexibility. The tracks are fold-away, ideal for small packages as well as the possibility of using a narrow gauge, 62 cm to 36 cm



The mounting ramp for a comfortable drive up of the dolly



Vibration free movement due to direct connections



Precise cuttings for smooth transitions



Wide sleepers offer the highest stability and make possible stacking the tracks



Ideal for storage and transportation

