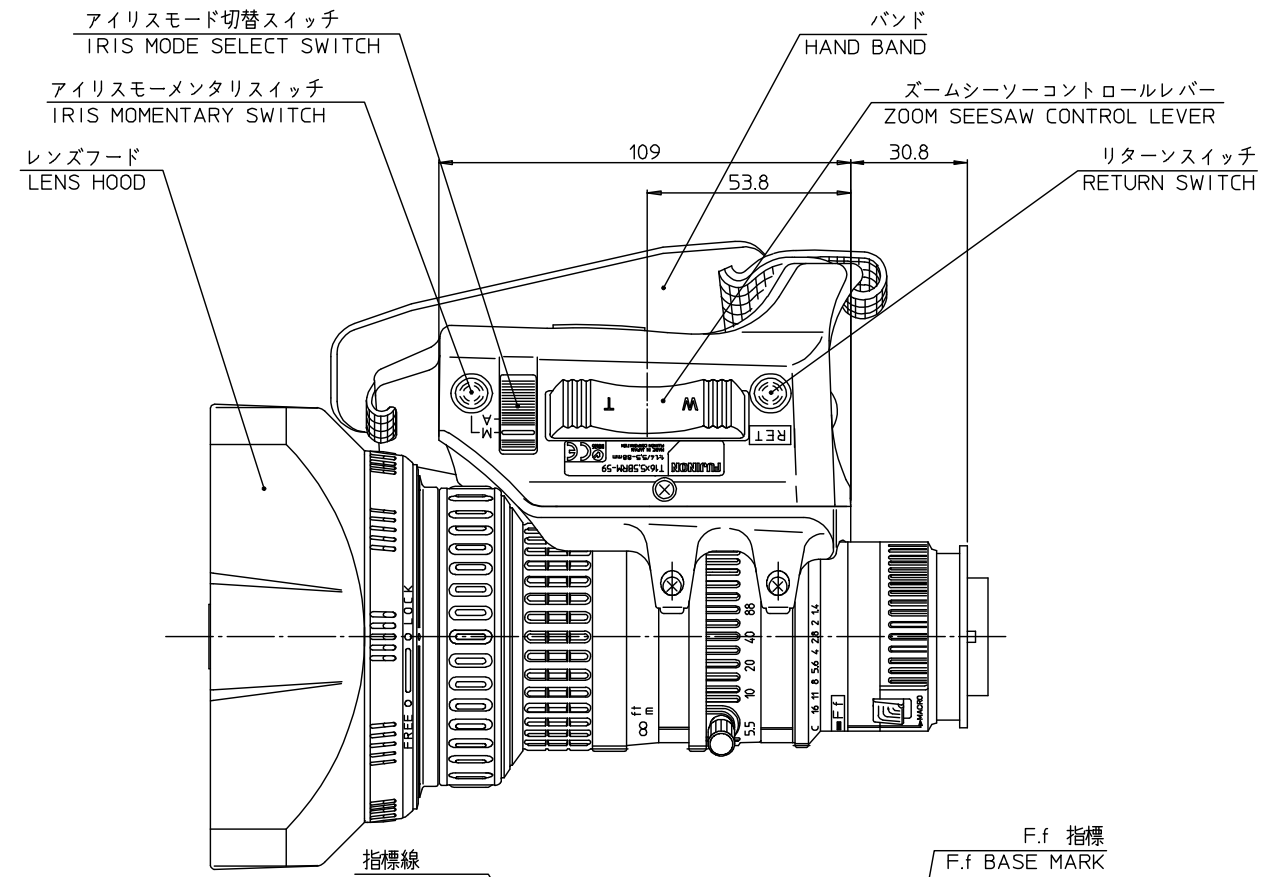
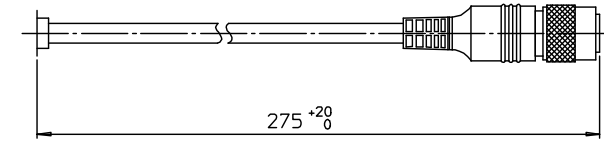


REVISIONS				
SYM	DATE	DESCRIPTIONS	CHG	CHG No.
X Δ	JAN-13-2005	RENEWED FOR REV.DSGN		
X Δ				

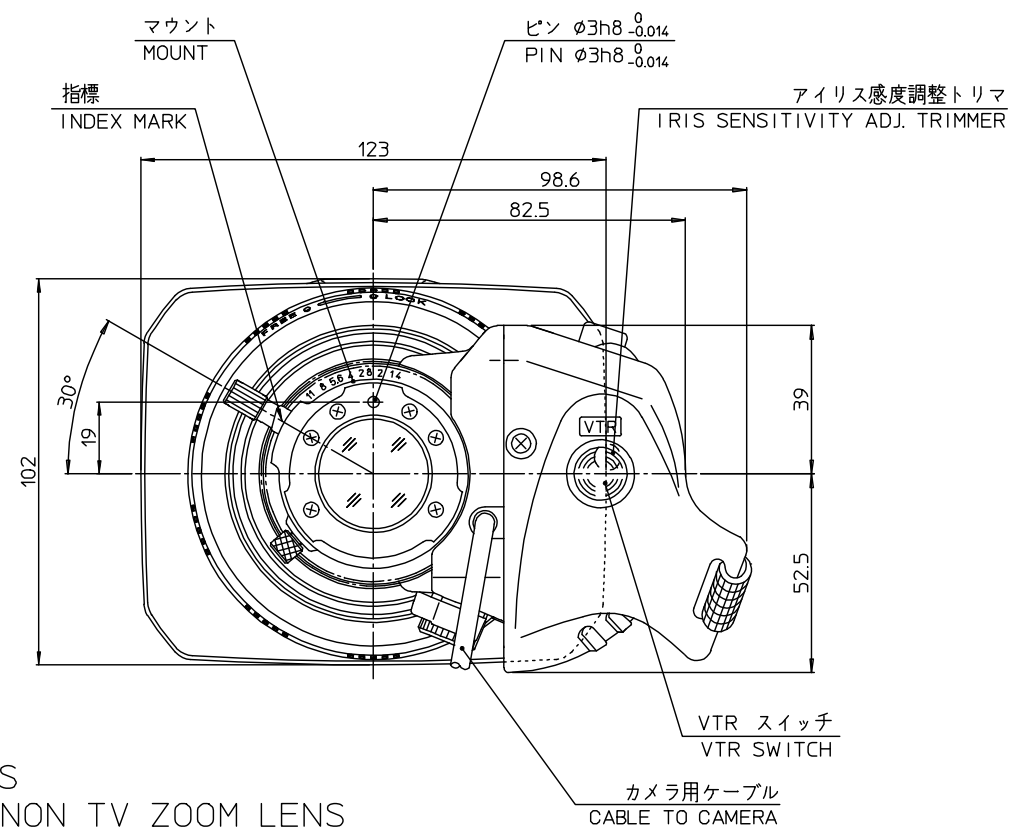
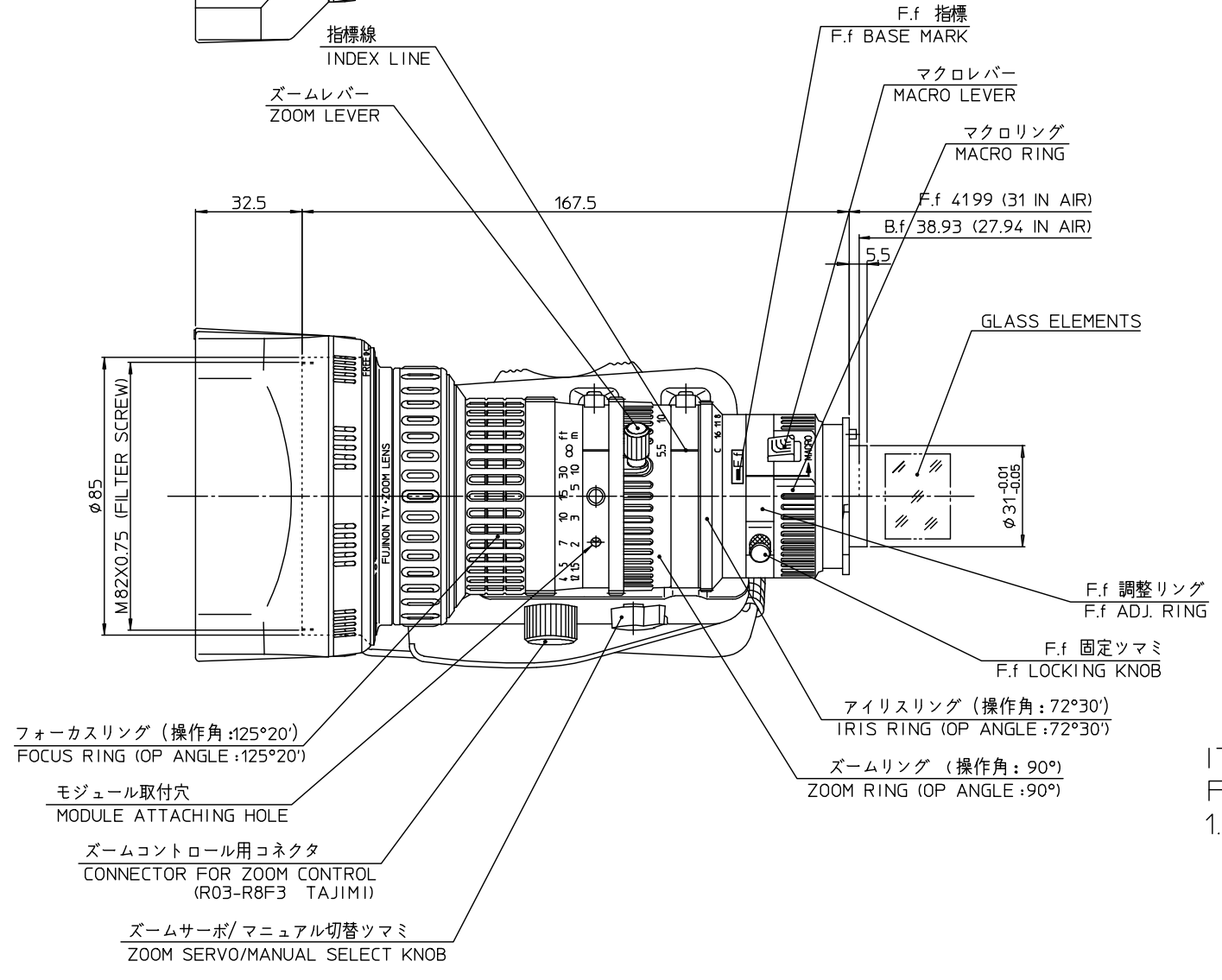


SPECIFICATION

1 APPLICATION	1/3" FORMAT COLOR CAMERA
2 ZOOM RATIO	16X
3 FOCAL LENGTH	5.5 mm - 88 mm
4 IRIS RANGE	1.4 - 16, CLOSE
5 IRIS CONTROL	AUTO OR MANUAL
6 IRIS OP TIME	APPROX 1.5 s / (FULL TRAVEL)
7 ZOOM CONTROL	SERVO OR MANUAL
8 ZOOM OP TIME	APPROX 3 s - 15 s / (FULL TRAVEL)
9 FOCUS CONTROL	MANUAL
10 M . O . D	1 m
	0.01 m OR LESS WITH MACRO OPERATION
11 F . f	41.99 mm (INCLUDING GLASS ELEMENTS)
	31 mm (IN AIR)
12 MASS	APPROX 1 kg (WITHOUT LENS HOOD)



カメラ用ケーブル
CABLE TO CAMERA
(CONNECTOR · SN-10-12P(Sam Woo))



ITEMS
FUJINON TV ZOOM LENS
1.4 / 5.5 - 88 (T16 X 5.5 BRM -59)

PROT FINISH		GEN TOL		1-324 UETAKE, KITA-KU, SAITAMA CITY, SAITAMA 331-9624, JAPAN		TITLE	
		LINEAR	ANGLE	DR			
		±	±	DSGN			T16X5.5BRM-59
		NOTE		CHK			
	MATERIAL	GEN ROUGHNESS		APPD			
LH415A-59		✓	(✓)	DATE	SCALE	SH	DWG No.
USED ON		NOTE		JAN-13-2005	1:2()		97A55321A591